



# 8

IN THE UNITED STATES  
PATENT AND TRADEMARK OFFICE

Patent Application

Inventors: Turan Erdogan et al. Case Name 12-42-7  
Serial No. 09/781,857 Group Art Unit 2633  
Filing Date February 12, 2001  
Title: *In-Line Polarization Monitoring and Control in Lightwave  
Communication Systems*

Attention: Official Draftperson

COMMISSIONER FOR PATENTS  
P.O. Box 1450  
Alexandria, VA 22313-1450

RECEIVED

FEB 06 2004

Technology Center 2600

SIR:

**SUBMITTAL OF FORMAL DRAWINGS REPLACEMENT SHEETS**

Enclosed please find two (2) Replacement sheet(s) of Formal Drawings for the above-identified application.

Applicants believe that these drawings are in accordance with the requirements of PTO-1474. However, if the Official Draftperson determines that any changes are needed, he is requested to contact the undersigned to avoid any delay in the prosecution of this application.

Respectfully,

By: Wendy W. Koba  
Wendy W. Koba, Esq.  
Reg. No. 30509  
Attorney for Application

Date: 2/3/04

Att: - Formal Drawings—2 Replacement Sheet(s)

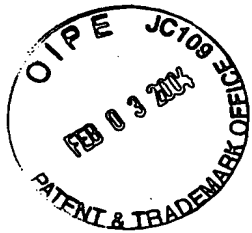


FIG. 1

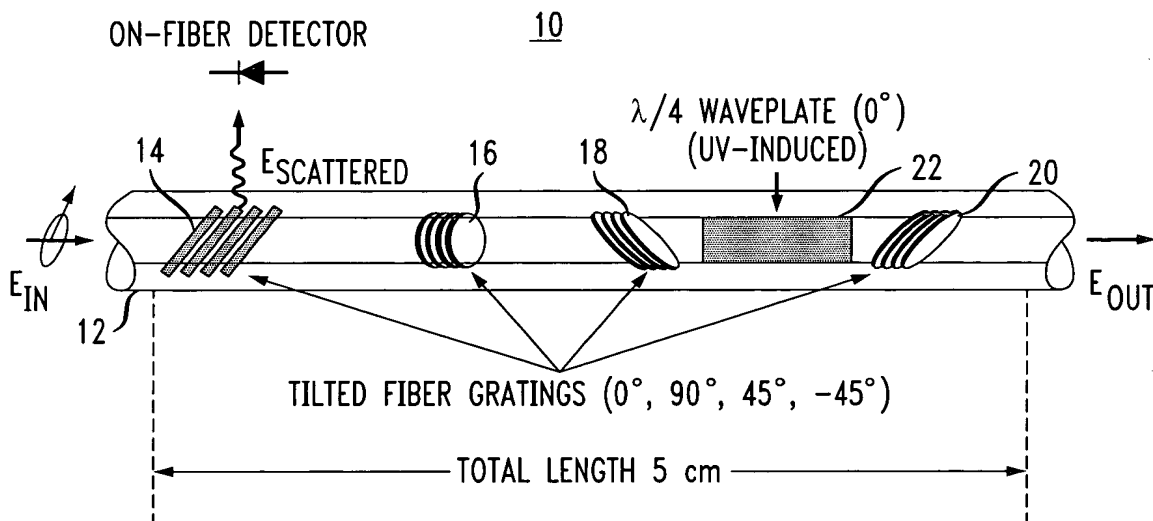


FIG. 2

30

